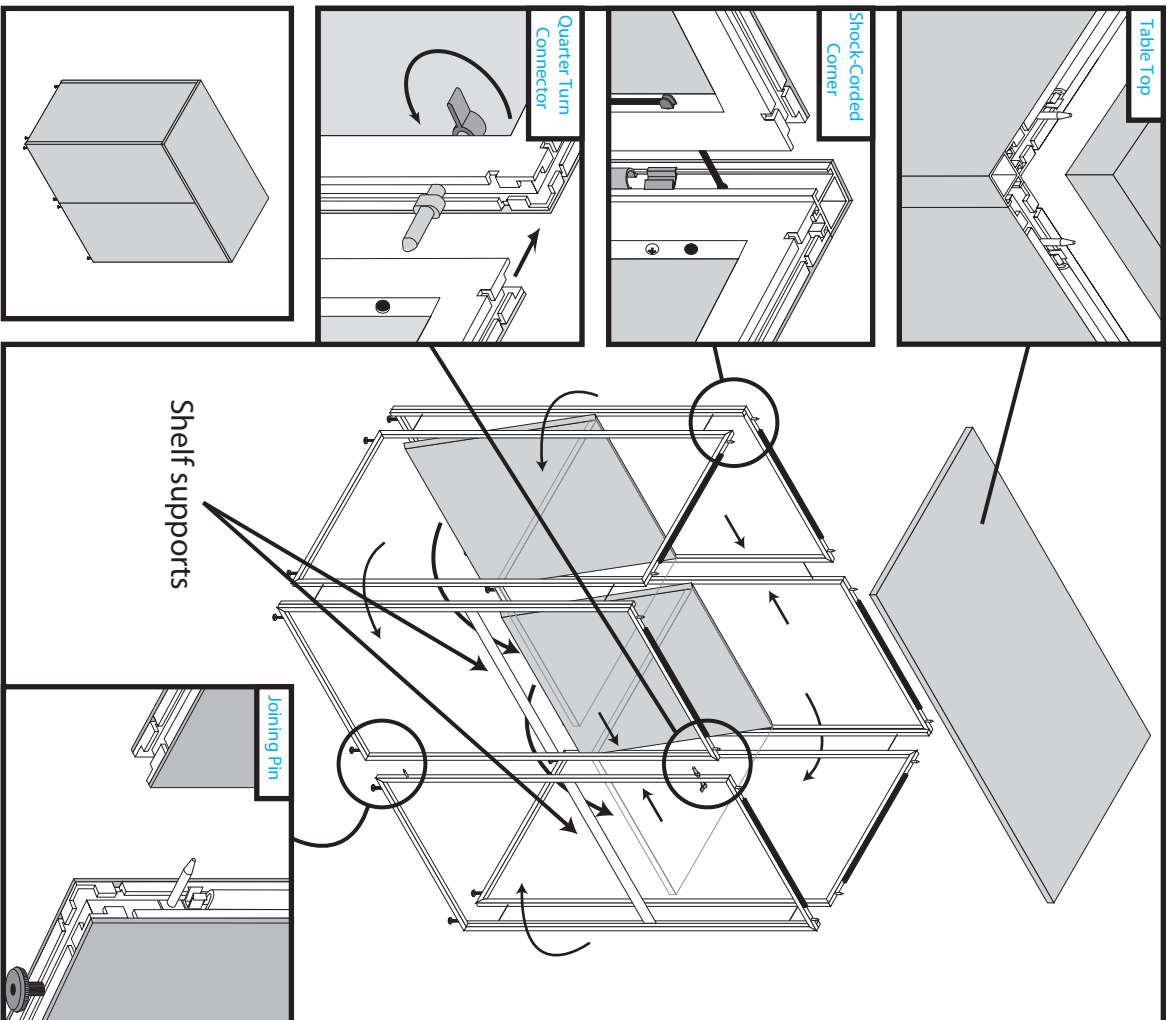


MOSAIC® DOUBLE SHOCK-CORDED TABLE W/SHELVES ASSEMBLY



STEP 1: Remove table panels from case. Unfold the panels and snap together the shock-corded side and corners.

STEP 2: Lift free side of shelves up and lock edges onto supports.

STEP 3: The final side of the table is assembled by snapping the joining pin at the bottom and connecting the quarter turn bolt connector at the top.

STEP 4: Finish by snapping the table top in place.

REPACKING

Tear down is reverse procedure of setup. Fold Panels into a stack.

Foam Corner Protectors
 Table Top
 Side Panels

